

# Double-Ended Super HPS 1000W Bulb /Ceramic Metal



**Application:**  
Greenhouses, Climate houses etc.



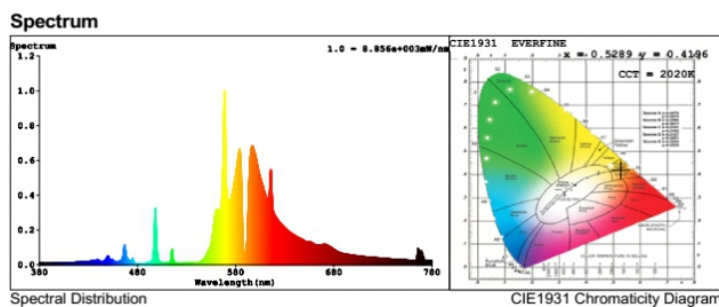
## Product Introduction

- The whole set of luminaire consist of lamp, ballast and fixture.
- The voltage of ballast is optional and meets the standard of different market
- The wattage of light is adjustable by the button of the ballast.
- The blue light output boost the growth of leaves of plant.
- 3 years warranty
- With ETL and CETL listed

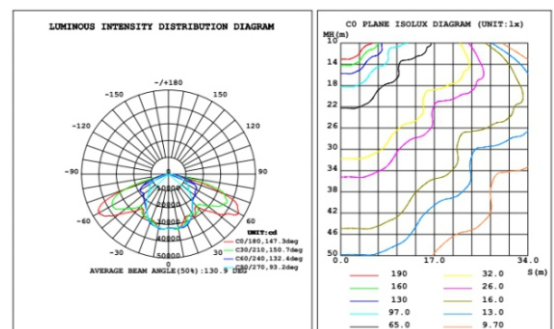
## Note:

Disconnect the product from mains before performing any maintenance or repairment.  
Wait 20 mins before activating the fixture after maintenance or repairment  
Do not touch the lamp with bare hands  
Check the wiring of the products regularly to ensure the product works safely.

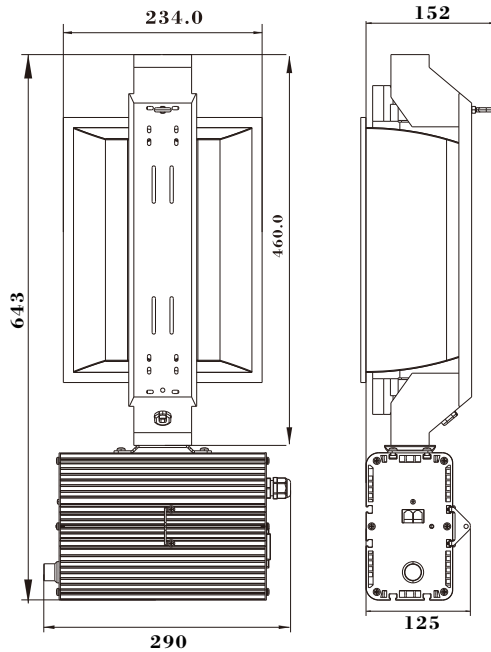
## Spectral Distribution



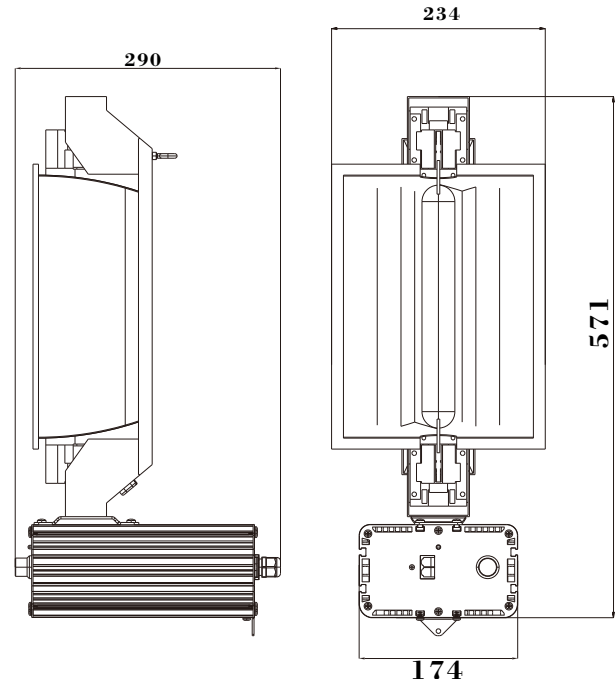
## Distribution Curve Flux



# Double-Ended Super HPS 1000W Bulb /Ceramic Metal



Horizontal



Vertical

## Dimension(Note: Error limit± 2)

Description	Reflector L*W*H(mm):	Packaging L*W*H(mm):	Weight (Kg)
Vertical	312*240*115	605*285*325	8.2
Horizontal	312*240*115	690*360*200	8.2

## Product Information and Specification



### 1000WHID Lamp

	1000W HPS	1000WMH
Voltage [V]	180-250V	
Current [A]	5.2	5.2
Wattage [W]	1000	1000
Lumens(Whole luminaire) [lm]	150000	100000
Bulb Type	T33	T33
CCT [K]	2100K	6000K
CRI [Ra]	25	70
PPFD [Umol/s/J]	1.9	1.5
Average Life [hrs]	12000	10000


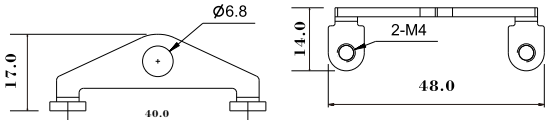
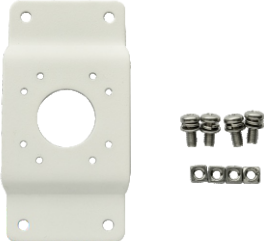
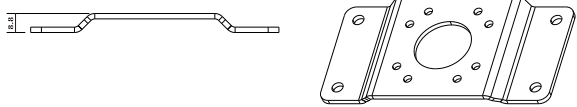
# Double-Ended Super HPS 1000W Bulb /Ceramic Metal



L



S

<p><b>Standard configuration</b></p>		
<p><b>Optional</b></p>		

## 1000W Ballast

Input Voltage [V]	120-240/220-240/240-277/347-400		
Input Frequency [HZ]	50/60		
Input Power Factor	≥0.98		
THD [%]	≤10		
Wave Crest Ratio	≤1.7		
Starting Time [S]	5 Max		
Pulse Voltage [KV]	4-5		
Output Rated Frequency [KHZ]	110K		
Efficiency [%]	≥93%		
Weight	L	4.3KG	S 3.7KG